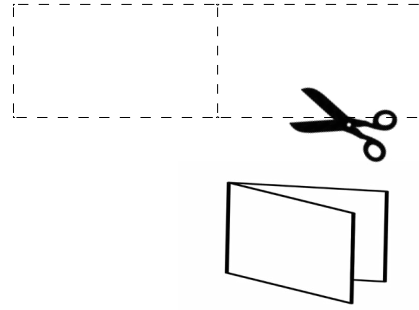


To print at home, use heavy weight paper, or card stock. Cut out the cards along the dotted lines. If you're unable to print on both sides, you can simply fold on the center line to make a 2-sided card.

If you use a professional printer, we suggest you print 2-sided cards with white text on red card stock with rounded corners.



လၢထံကီၢ်အတၢ်ဘျုးအဖီလၢနတၢ်ခွဲးတၢ်ယၢ်သ့ၣ်တဖၣ်အိၣ်ဝဲလီၤ-

- တၢ်ဟံးန့ၣ်လီၤအိၣ်ဆိးဆူထံကီၢ်ပူၤအပူၤမူပူၤဒါ မ့ၢ်ဒိတကျိၣ်န့ၣ်တြီဒီး. တဘၣ်ဆိးထီၣ်ဝဲ **တီတဂ့ၤ**.
- ပဒိၣ်အပူၤမူပူၤဒါ မ့ၢ်ဝဲတၢ်ဒီးန့ၣ်. တဘၣ်ဆိးဆူအတၢ်သံကွၢ်နီၣ်တံၤတဂ့ၤ. နတၢ်ခွဲးတၢ်ယၢ်အိၣ်လၢန အိၣ်ဘျုးကလၢလၢသ့ၣ်လီၤ.
- တချုးလၢနတဲသကိးတၢ်ဒီးပိၣ်ရိၣ်ဒီးဘၣ်န့ၣ်. တဘၣ်ဆိးလီၤကလီၤနမံၤလုၤတဂ့ၤတဂ့ၤ. နတၢ်ခွဲးတၢ်ယၢ်အိၣ်လၢနတဲသကိးတၢ်ဒီးပိၣ်ရိၣ်သ့ၣ်လီၤ.
- နမ့ၢ်အိၣ်လၢတၢ်ချၢဒီး. ယုပုၤမူပူၤဒါလၢကပျဲက့ၤန့ၣ်. အဝဲသ့ၣ်မ့ၢ်ပျဲန့ၣ်ဒီးက့ၤကစုၣ်န့ၣ်တဂ့ၤ.
- ဟ့ၣ်လီၤကးတဘျုးအံၤလၢပူၤမူပူၤဒါအအိၣ်. နမ့ၢ်အိၣ်လၢနဟံၣ်ပူၤတစီ. န့ၣ်ပွးထီၣ်လံာ်တက့ၤအံၤဆူ ဝဲတြီဒီး. မ့ၢ်တမ့ၢ်. ကိၣ်န့ၣ်လီၤန့ၣ်အီၤလၢဝဲတြီအဖီလၢနတၢ်ခွဲးတဂ့ၤ.

I do not wish to speak with you, answer your questions, or sign or hand you any documents based on my 5th Amendment rights under the United States Constitution.

I do not give you permission to enter my home based on my 4th Amendment rights under the United States Constitution unless you have a warrant to enter, signed by a judge or magistrate with my name on it that you slide under the door.

I do not give you permission to search any of my belongings based on my 4th Amendment rights.

I choose to exercise my constitutional rights.
These cards are available to citizens and noncitizens alike.

လၢထံကီၢ်အတၢ်ဘျုးအဖီလၢနတၢ်ခွဲးတၢ်ယၢ်သ့ၣ်တဖၣ်အိၣ်ဝဲလီၤ-

- တၢ်ဟံးန့ၣ်လီၤအိၣ်ဆိးဆူထံကီၢ်ပူၤအပူၤမူပူၤဒါ မ့ၢ်ဒိတကျိၣ်န့ၣ်တြီဒီး. တဘၣ်ဆိးထီၣ်ဝဲ **တီတဂ့ၤ**.
- ပဒိၣ်အပူၤမူပူၤဒါ မ့ၢ်ဝဲတၢ်ဒီးန့ၣ်. တဘၣ်ဆိးဆူအတၢ်သံကွၢ်နီၣ်တံၤတဂ့ၤ. နတၢ်ခွဲးတၢ်ယၢ်အိၣ်လၢန အိၣ်ဘျုးကလၢလၢသ့ၣ်လီၤ.
- တချုးလၢနတဲသကိးတၢ်ဒီးပိၣ်ရိၣ်ဒီးဘၣ်န့ၣ်. တဘၣ်ဆိးလီၤကလီၤနမံၤလုၤတဂ့ၤတဂ့ၤ. နတၢ်ခွဲးတၢ်ယၢ်အိၣ်လၢနတဲသကိးတၢ်ဒီးပိၣ်ရိၣ်သ့ၣ်လီၤ.
- နမ့ၢ်အိၣ်လၢတၢ်ချၢဒီး. ယုပုၤမူပူၤဒါလၢကပျဲက့ၤန့ၣ်. အဝဲသ့ၣ်မ့ၢ်ပျဲန့ၣ်ဒီးက့ၤကစုၣ်န့ၣ်တဂ့ၤ.
- ဟ့ၣ်လီၤကးတဘျုးအံၤလၢပူၤမူပူၤဒါအအိၣ်. နမ့ၢ်အိၣ်လၢနဟံၣ်ပူၤတစီ. န့ၣ်ပွးထီၣ်လံာ်တက့ၤအံၤဆူ ဝဲတြီဒီး. မ့ၢ်တမ့ၢ်. ကိၣ်န့ၣ်လီၤန့ၣ်အီၤလၢဝဲတြီအဖီလၢနတၢ်ခွဲးတဂ့ၤ.

I do not wish to speak with you, answer your questions, or sign or hand you any documents based on my 5th Amendment rights under the United States Constitution.

I do not give you permission to enter my home based on my 4th Amendment rights under the United States Constitution unless you have a warrant to enter, signed by a judge or magistrate with my name on it that you slide under the door.

I do not give you permission to search any of my belongings based on my 4th Amendment rights.

I choose to exercise my constitutional rights.
These cards are available to citizens and noncitizens alike.

လၢထံကီၢ်အတၢ်ဘျုးအဖီလၢနတၢ်ခွဲးတၢ်ယၢ်သ့ၣ်တဖၣ်အိၣ်ဝဲလီၤ-

- တၢ်ဟံးန့ၣ်လီၤအိၣ်ဆိးဆူထံကီၢ်ပူၤအပူၤမူပူၤဒါ မ့ၢ်ဒိတကျိၣ်န့ၣ်တြီဒီး. တဘၣ်ဆိးထီၣ်ဝဲ **တီတဂ့ၤ**.
- ပဒိၣ်အပူၤမူပူၤဒါ မ့ၢ်ဝဲတၢ်ဒီးန့ၣ်. တဘၣ်ဆိးဆူအတၢ်သံကွၢ်နီၣ်တံၤတဂ့ၤ. နတၢ်ခွဲးတၢ်ယၢ်အိၣ်လၢန အိၣ်ဘျုးကလၢလၢသ့ၣ်လီၤ.
- တချုးလၢနတဲသကိးတၢ်ဒီးပိၣ်ရိၣ်ဒီးဘၣ်န့ၣ်. တဘၣ်ဆိးလီၤကလီၤနမံၤလုၤတဂ့ၤတဂ့ၤ. နတၢ်ခွဲးတၢ်ယၢ်အိၣ်လၢနတဲသကိးတၢ်ဒီးပိၣ်ရိၣ်သ့ၣ်လီၤ.
- နမ့ၢ်အိၣ်လၢတၢ်ချၢဒီး. ယုပုၤမူပူၤဒါလၢကပျဲက့ၤန့ၣ်. အဝဲသ့ၣ်မ့ၢ်ပျဲန့ၣ်ဒီးက့ၤကစုၣ်န့ၣ်တဂ့ၤ.
- ဟ့ၣ်လီၤကးတဘျုးအံၤလၢပူၤမူပူၤဒါအအိၣ်. နမ့ၢ်အိၣ်လၢနဟံၣ်ပူၤတစီ. န့ၣ်ပွးထီၣ်လံာ်တက့ၤအံၤဆူ ဝဲတြီဒီး. မ့ၢ်တမ့ၢ်. ကိၣ်န့ၣ်လီၤန့ၣ်အီၤလၢဝဲတြီအဖီလၢနတၢ်ခွဲးတဂ့ၤ.

I do not wish to speak with you, answer your questions, or sign or hand you any documents based on my 5th Amendment rights under the United States Constitution.

I do not give you permission to enter my home based on my 4th Amendment rights under the United States Constitution unless you have a warrant to enter, signed by a judge or magistrate with my name on it that you slide under the door.

I do not give you permission to search any of my belongings based on my 4th Amendment rights.

I choose to exercise my constitutional rights.
These cards are available to citizens and noncitizens alike.

လၢထံကီၢ်အတၢ်ဘျုးအဖီလၢနတၢ်ခွဲးတၢ်ယၢ်သ့ၣ်တဖၣ်အိၣ်ဝဲလီၤ-

- တၢ်ဟံးန့ၣ်လီၤအိၣ်ဆိးဆူထံကီၢ်ပူၤအပူၤမူပူၤဒါ မ့ၢ်ဒိတကျိၣ်န့ၣ်တြီဒီး. တဘၣ်ဆိးထီၣ်ဝဲ **တီတဂ့ၤ**.
- ပဒိၣ်အပူၤမူပူၤဒါ မ့ၢ်ဝဲတၢ်ဒီးန့ၣ်. တဘၣ်ဆိးဆူအတၢ်သံကွၢ်နီၣ်တံၤတဂ့ၤ. နတၢ်ခွဲးတၢ်ယၢ်အိၣ်လၢန အိၣ်ဘျုးကလၢလၢသ့ၣ်လီၤ.
- တချုးလၢနတဲသကိးတၢ်ဒီးပိၣ်ရိၣ်ဒီးဘၣ်န့ၣ်. တဘၣ်ဆိးလီၤကလီၤနမံၤလုၤတဂ့ၤတဂ့ၤ. နတၢ်ခွဲးတၢ်ယၢ်အိၣ်လၢနတဲသကိးတၢ်ဒီးပိၣ်ရိၣ်သ့ၣ်လီၤ.
- နမ့ၢ်အိၣ်လၢတၢ်ချၢဒီး. ယုပုၤမူပူၤဒါလၢကပျဲက့ၤန့ၣ်. အဝဲသ့ၣ်မ့ၢ်ပျဲန့ၣ်ဒီးက့ၤကစုၣ်န့ၣ်တဂ့ၤ.
- ဟ့ၣ်လီၤကးတဘျုးအံၤလၢပူၤမူပူၤဒါအအိၣ်. နမ့ၢ်အိၣ်လၢနဟံၣ်ပူၤတစီ. န့ၣ်ပွးထီၣ်လံာ်တက့ၤအံၤဆူ ဝဲတြီဒီး. မ့ၢ်တမ့ၢ်. ကိၣ်န့ၣ်လီၤန့ၣ်အီၤလၢဝဲတြီအဖီလၢနတၢ်ခွဲးတဂ့ၤ.

I do not wish to speak with you, answer your questions, or sign or hand you any documents based on my 5th Amendment rights under the United States Constitution.

I do not give you permission to enter my home based on my 4th Amendment rights under the United States Constitution unless you have a warrant to enter, signed by a judge or magistrate with my name on it that you slide under the door.

I do not give you permission to search any of my belongings based on my 4th Amendment rights.

I choose to exercise my constitutional rights.
These cards are available to citizens and noncitizens alike.

