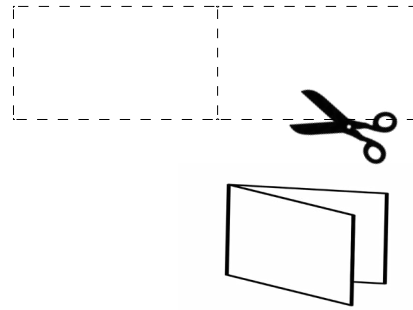


To print at home, use heavy weight paper, or card stock. Cut out the cards along the dotted lines. If you're unable to print on both sides, you can simply fold on the center line to make a 2-sided card.

If you use a professional printer, we suggest you print 2-sided cards with white text on red card stock with rounded corners.



Phunghrampi covu na ngei:

- Ramdangmi luhchuahnak riantuantu (immigration agent) nih innka a kingh ahcun KUTKA KHA ON HLAH.
- Ramdangmi luhchuahnak riantuantu (immigration agent) nih an chonh tikah A BIAHAL MI LET HLAH. Dai tein um khawhnaek nawl na ngei.
- Sihni he i chonh hmasa lo in ZEIHMANH MIN THU HLAH. Sihni he chonhnaek nawl na ngei.
- Agent he leng ah na i ton i chonh soal tikah, ka kal kho maw ti na hal lai i na kal kho an ti ahcun, dai tein le tih lo tein kal.
- MAH CARD HI AGENT KHA PE. Na inn chung ah na um ahcun, mah card hi thlang awng in piah hna asiloah innka tang ah hnuh.

I do not wish to speak with you, answer your questions, or sign or hand you any documents based on my 5th Amendment rights under the United States Constitution.

I do not give you permission to enter my home based on my 4th Amendment rights under the United States Constitution unless you have a warrant to enter, signed by a judge or magistrate with my name on it that you slide under the door.

I do not give you permission to search any of my belongings based on my 4th Amendment rights.

I choose to exercise my constitutional rights.

*These cards are available to citizens and noncitizens alike.*

Phunghrampi covu na ngei:

- Ramdangmi luhchuahnak riantuantu (immigration agent) nih innka a kingh ahcun KUTKA KHA ON HLAH.
- Ramdangmi luhchuahnak riantuantu (immigration agent) nih an chonh tikah A BIAHAL MI LET HLAH. Dai tein um khawhnaek nawl na ngei.
- Sihni he i chonh hmasa lo in ZEIHMANH MIN THU HLAH. Sihni he chonhnaek nawl na ngei.
- Agent he leng ah na i ton i chonh soal tikah, ka kal kho maw ti na hal lai i na kal kho an ti ahcun, dai tein le tih lo tein kal.
- MAH CARD HI AGENT KHA PE. Na inn chung ah na um ahcun, mah card hi thlang awng in piah hna asiloah innka tang ah hnuh.

I do not wish to speak with you, answer your questions, or sign or hand you any documents based on my 5th Amendment rights under the United States Constitution.

I do not give you permission to enter my home based on my 4th Amendment rights under the United States Constitution unless you have a warrant to enter, signed by a judge or magistrate with my name on it that you slide under the door.

I do not give you permission to search any of my belongings based on my 4th Amendment rights.

I choose to exercise my constitutional rights.

*These cards are available to citizens and noncitizens alike.*

Phunghrampi covu na ngei:

- Ramdangmi luhchuahnak riantuantu (immigration agent) nih innka a kingh ahcun KUTKA KHA ON HLAH.
- Ramdangmi luhchuahnak riantuantu (immigration agent) nih an chonh tikah A BIAHAL MI LET HLAH. Dai tein um khawhnaek nawl na ngei.
- Sihni he i chonh hmasa lo in ZEIHMANH MIN THU HLAH. Sihni he chonhnaek nawl na ngei.
- Agent he leng ah na i ton i chonh soal tikah, ka kal kho maw ti na hal lai i na kal kho an ti ahcun, dai tein le tih lo tein kal.
- MAH CARD HI AGENT KHA PE. Na inn chung ah na um ahcun, mah card hi thlang awng in piah hna asiloah innka tang ah hnuh.

I do not wish to speak with you, answer your questions, or sign or hand you any documents based on my 5th Amendment rights under the United States Constitution.

I do not give you permission to enter my home based on my 4th Amendment rights under the United States Constitution unless you have a warrant to enter, signed by a judge or magistrate with my name on it that you slide under the door.

I do not give you permission to search any of my belongings based on my 4th Amendment rights.

I choose to exercise my constitutional rights.

*These cards are available to citizens and noncitizens alike.*

Phunghrampi covu na ngei:

- Ramdangmi luhchuahnak riantuantu (immigration agent) nih innka a kingh ahcun KUTKA KHA ON HLAH.
- Ramdangmi luhchuahnak riantuantu (immigration agent) nih an chonh tikah A BIAHAL MI LET HLAH. Dai tein um khawhnaek nawl na ngei.
- Sihni he i chonh hmasa lo in ZEIHMANH MIN THU HLAH. Sihni he chonhnaek nawl na ngei.
- Agent he leng ah na i ton i chonh soal tikah, ka kal kho maw ti na hal lai i na kal kho an ti ahcun, dai tein le tih lo tein kal.
- MAH CARD HI AGENT KHA PE. Na inn chung ah na um ahcun, mah card hi thlang awng in piah hna asiloah innka tang ah hnuh.

I do not wish to speak with you, answer your questions, or sign or hand you any documents based on my 5th Amendment rights under the United States Constitution.

I do not give you permission to enter my home based on my 4th Amendment rights under the United States Constitution unless you have a warrant to enter, signed by a judge or magistrate with my name on it that you slide under the door.

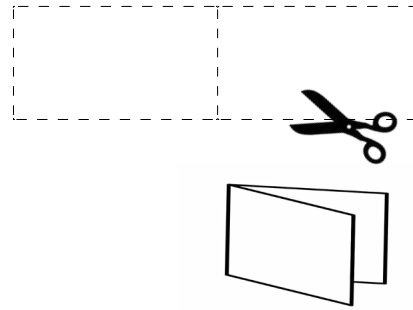
I do not give you permission to search any of my belongings based on my 4th Amendment rights.

I choose to exercise my constitutional rights.

*These cards are available to citizens and noncitizens alike.*

To print at home, use heavy weight paper, or card stock. Cut out the cards along the dotted lines. If you're unable to print on both sides, you can simply fold on the center line to make a 2-sided card.

If you use a professional printer, we suggest you print 2-sided cards with white text on red card stock with rounded corners.



Phunghrampi covu na ngei:

- Ramdangmi luhchuahnak riantuantu (immigration agent) nih innka a kingh ahcun KUTKA KHA ON HLAH.
- Ramdangmi luhchuahnak riantuantu (immigration agent) nih an chonh tikah A BIAHAL MI LET HLAH. Dai tein um khawhnak nawl na ngei.
- Sihni he i chonh hmasa lo in ZEIHMANH MIN THU HLAH. Sihni he chonhnak nawl na ngei.
- Agent he leng ah na i ton i chonh soal tikah, ka kal kho maw ti na hal lai i na kal kho an ti ahcun, dai tein le tih lo tein kal.
- MAH CARD HI AGENT KHA PE. Na inn chung ah na um ahcun, mah card hi thlang awng in piah hna asiloah innka tang ah hnuh.

I do not wish to speak with you, answer your questions, or sign or hand you any documents based on my 5th Amendment rights under the United States Constitution.

I do not give you permission to enter my home based on my 4th Amendment rights under the United States Constitution unless you have a warrant to enter, signed by a judge or magistrate with my name on it that you slide under the door.

I do not give you permission to search any of my belongings based on my 4th Amendment rights.

I choose to exercise my constitutional rights.

*These cards are available to citizens and noncitizens alike.*

Phunghrampi covu na ngei:

- Ramdangmi luhchuahnak riantuantu (immigration agent) nih innka a kingh ahcun KUTKA KHA ON HLAH.
- Ramdangmi luhchuahnak riantuantu (immigration agent) nih an chonh tikah A BIAHAL MI LET HLAH. Dai tein um khawhnak nawl na ngei.
- Sihni he i chonh hmasa lo in ZEIHMANH MIN THU HLAH. Sihni he chonhnak nawl na ngei.
- Agent he leng ah na i ton i chonh soal tikah, ka kal kho maw ti na hal lai i na kal kho an ti ahcun, dai tein le tih lo tein kal.
- MAH CARD HI AGENT KHA PE. Na inn chung ah na um ahcun, mah card hi thlang awng in piah hna asiloah innka tang ah hnuh.

I do not wish to speak with you, answer your questions, or sign or hand you any documents based on my 5th Amendment rights under the United States Constitution.

I do not give you permission to enter my home based on my 4th Amendment rights under the United States Constitution unless you have a warrant to enter, signed by a judge or magistrate with my name on it that you slide under the door.

I do not give you permission to search any of my belongings based on my 4th Amendment rights.

I choose to exercise my constitutional rights.

*These cards are available to citizens and noncitizens alike.*

Phunghrampi covu na ngei:

- Ramdangmi luhchuahnak riantuantu (immigration agent) nih innka a kingh ahcun KUTKA KHA ON HLAH.
- Ramdangmi luhchuahnak riantuantu (immigration agent) nih an chonh tikah A BIAHAL MI LET HLAH. Dai tein um khawhnak nawl na ngei.
- Sihni he i chonh hmasa lo in ZEIHMANH MIN THU HLAH. Sihni he chonhnak nawl na ngei.
- Agent he leng ah na i ton i chonh soal tikah, ka kal kho maw ti na hal lai i na kal kho an ti ahcun, dai tein le tih lo tein kal.
- MAH CARD HI AGENT KHA PE. Na inn chung ah na um ahcun, mah card hi thlang awng in piah hna asiloah innka tang ah hnuh.

I do not wish to speak with you, answer your questions, or sign or hand you any documents based on my 5th Amendment rights under the United States Constitution.

I do not give you permission to enter my home based on my 4th Amendment rights under the United States Constitution unless you have a warrant to enter, signed by a judge or magistrate with my name on it that you slide under the door.

I do not give you permission to search any of my belongings based on my 4th Amendment rights.

I choose to exercise my constitutional rights.

*These cards are available to citizens and noncitizens alike.*

Phunghrampi covu na ngei:

- Ramdangmi luhchuahnak riantuantu (immigration agent) nih innka a kingh ahcun KUTKA KHA ON HLAH.
- Ramdangmi luhchuahnak riantuantu (immigration agent) nih an chonh tikah A BIAHAL MI LET HLAH. Dai tein um khawhnak nawl na ngei.
- Sihni he i chonh hmasa lo in ZEIHMANH MIN THU HLAH. Sihni he chonhnak nawl na ngei.
- Agent he leng ah na i ton i chonh soal tikah, ka kal kho maw ti na hal lai i na kal kho an ti ahcun, dai tein le tih lo tein kal.
- MAH CARD HI AGENT KHA PE. Na inn chung ah na um ahcun, mah card hi thlang awng in piah hna asiloah innka tang ah hnuh.

I do not wish to speak with you, answer your questions, or sign or hand you any documents based on my 5th Amendment rights under the United States Constitution.

I do not give you permission to enter my home based on my 4th Amendment rights under the United States Constitution unless you have a warrant to enter, signed by a judge or magistrate with my name on it that you slide under the door.

I do not give you permission to search any of my belongings based on my 4th Amendment rights.

I choose to exercise my constitutional rights.

*These cards are available to citizens and noncitizens alike.*